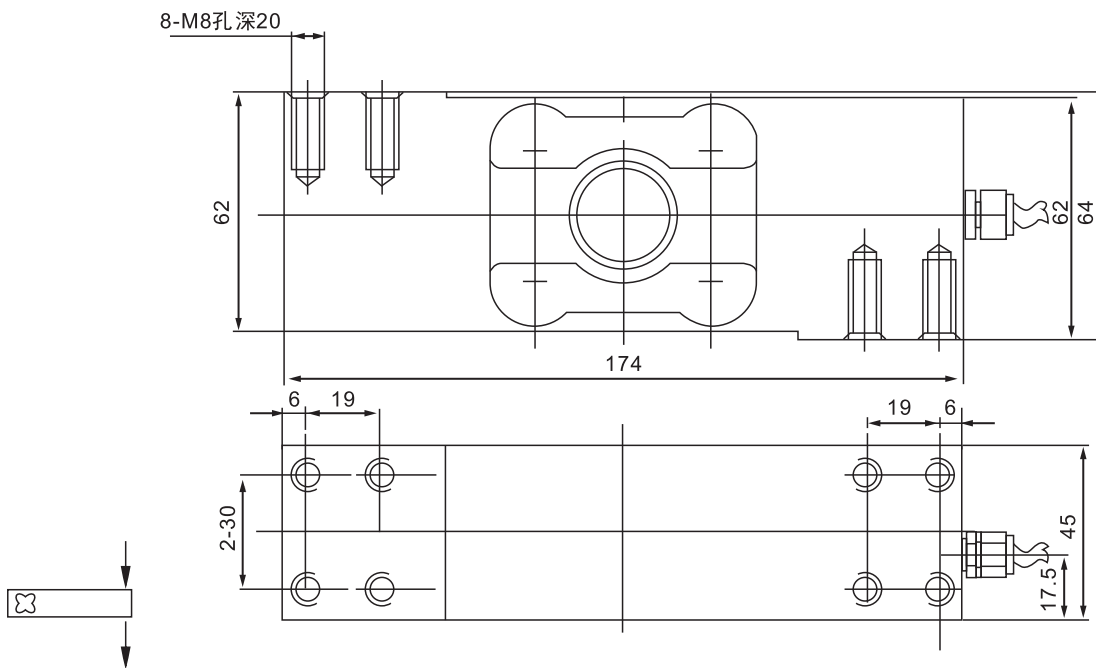
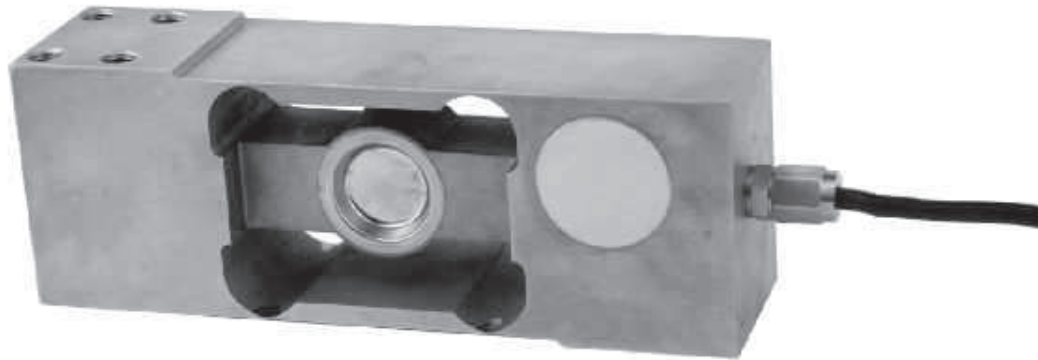




ILEC/-A/-SS Loadcell

ILEC/-A/-SS



Blending scale, packing scale, dynamic testing system, platform scale

TECHNICAL PARAMETER | OAP version 4Wires:Exc+(Blue);Exc-(Black);Sig+(White);Sig-(Red)

Rated capacities(Emax)	250,300,500,750,800,1000kg	Temperature range, compensated	-10℃~+40℃
Sensitivity	2.0±0.2mV/V	Temperature range, operating	-30~+70℃
Total error	± 0.03%F.S (alloy steel); 0.03%F.S (stainless steel);	Maximum safe overload	120%F.S
Creep error (30min)	± 0.03%F.S	Ultimate overload	200%F.S
Zero balance	± 1%F.S	Excitation, recommended	10~12V DC
TC ZERO	± 0.02%F.S/10℃	Excitation, maximum	15V DC
TC SPAN	± 0.03%F.S/10℃	Protection class	IP68
Input resistance	400±20 Ω	Construction	Stainless Steel
Output resistance	352±3 Ω	Cable	Length:3m
Insulation resistance	≥5000M Ω		Diameter: φ5mm